

For compressors »MDR 2« type

Single-phase version.

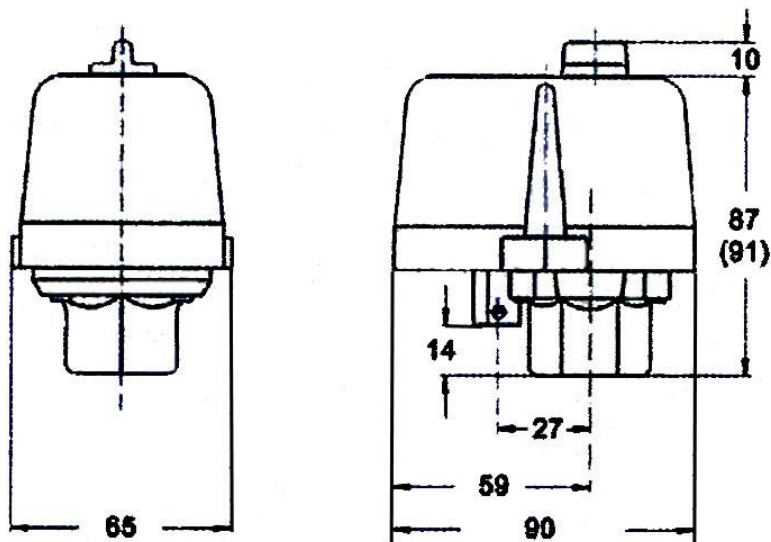
Power:	2.2 kW
Max. cut-out pressure:	12.0 bar
Contact type:	NC (2-pole)
Medium temperature:	-5 °C to +80 °C
Degree of protection:	IP 44
Max. switching frequency:	120 (electrical) 600 (mechanical)
Compressed air connection:	G 1/4



MDR 2/11

»MDR 2« pressure switch, with unloading valve, on/off switch, flange F4 1/4

Article No.	Ident No.	Adjustment range
MDR 2/11	103040	4 – 12 bar

Dimensions


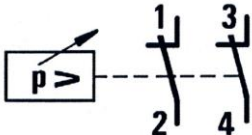
Technical data

Technical Data MDR 2 acc. to 60947	
Rated insulation voltage U_i	500 V
Motor switching capacity (AC 3) $U_n=240$ V (1~)	2.2 kW
Electrical life (AC 3) Cycles	$> 1 \times 10^5$
Mechanical life Cycles	$> 5 \times 10^6$
Max. electrical cycles Cycles/h	120
Max. mechanical cycles Cycles/h	600
Rated operational current I_n at 240 V AC	20 A
Bursting strength P_z	> 35 bar
Permissible medium temperature Air	- 5...+ 80 °C

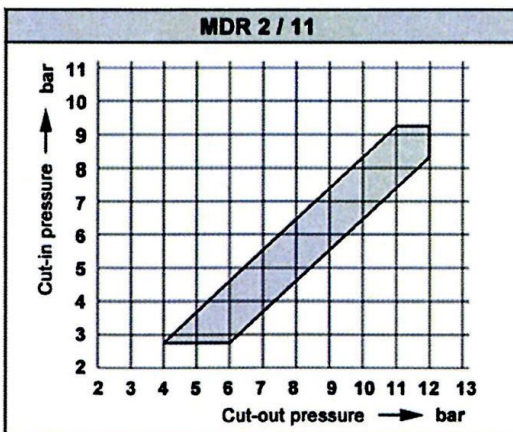
Technical Data MDR 2 acc. to 60947	
Permissible medium temperature Water	+ 80 °C
Degree of Protection acc. to EN 60529	IP 44
Conductor cross-section 1 .. fine stranded cable 1 x / 2 x	2.5 / 2.5mm ²
Conductor cross-section 1 rigid cable 1 x / 2 x	2.5 / 2.5mm ²

Diaphragm media resistance MDR 2	
Air, Water	resistant

Circuit diagram



Pressure diagram





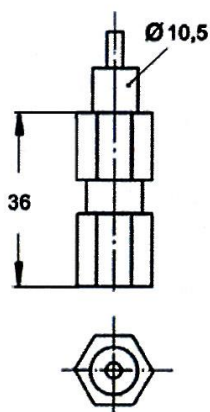
EV 2



H 2-EA

Accessories

Article No.	Ident No.	Description	Weight in g
EV 2	103041	Unloading valve	25.0
H 2-EA	103042	Hood with on/off switch	40.0
M 200	103043	Diaphragm	-



EV 2